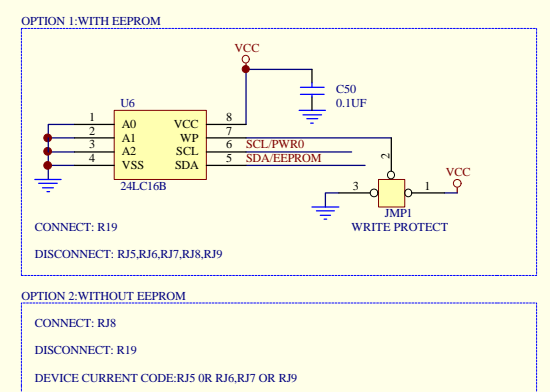
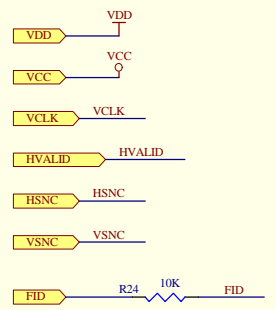
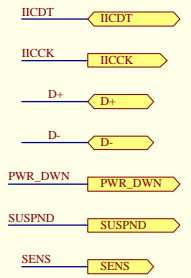
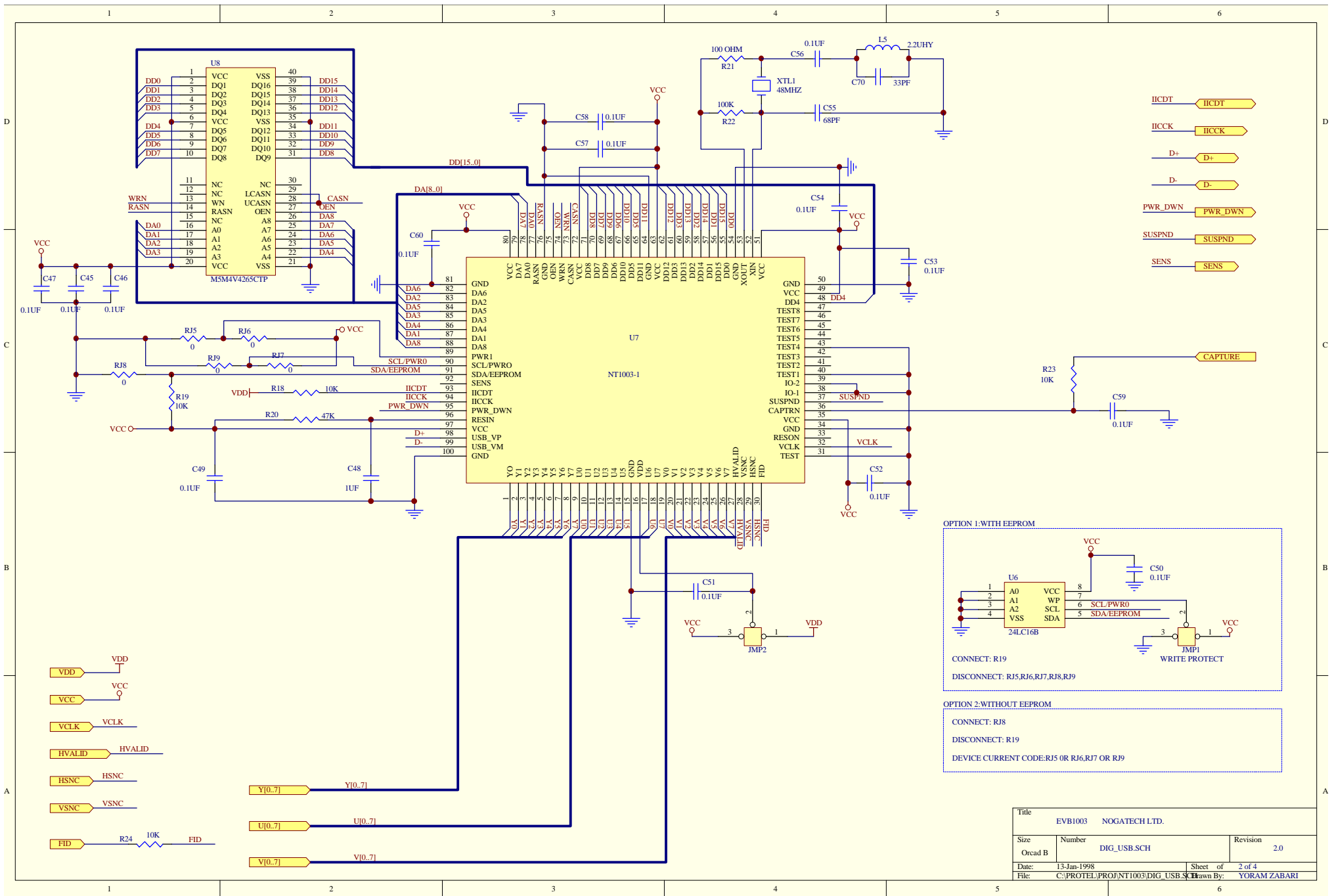


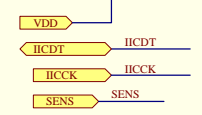
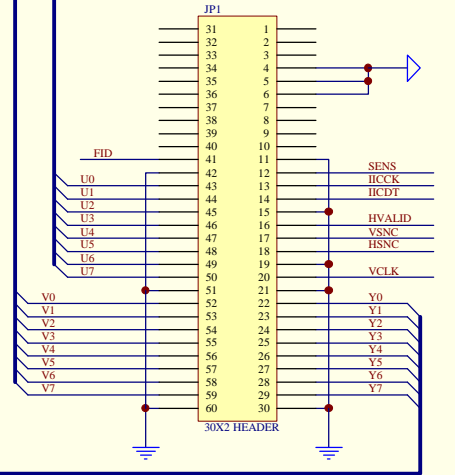
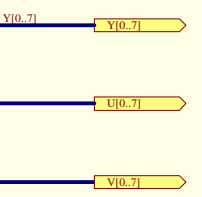
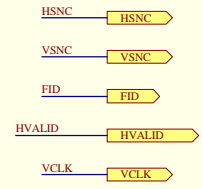
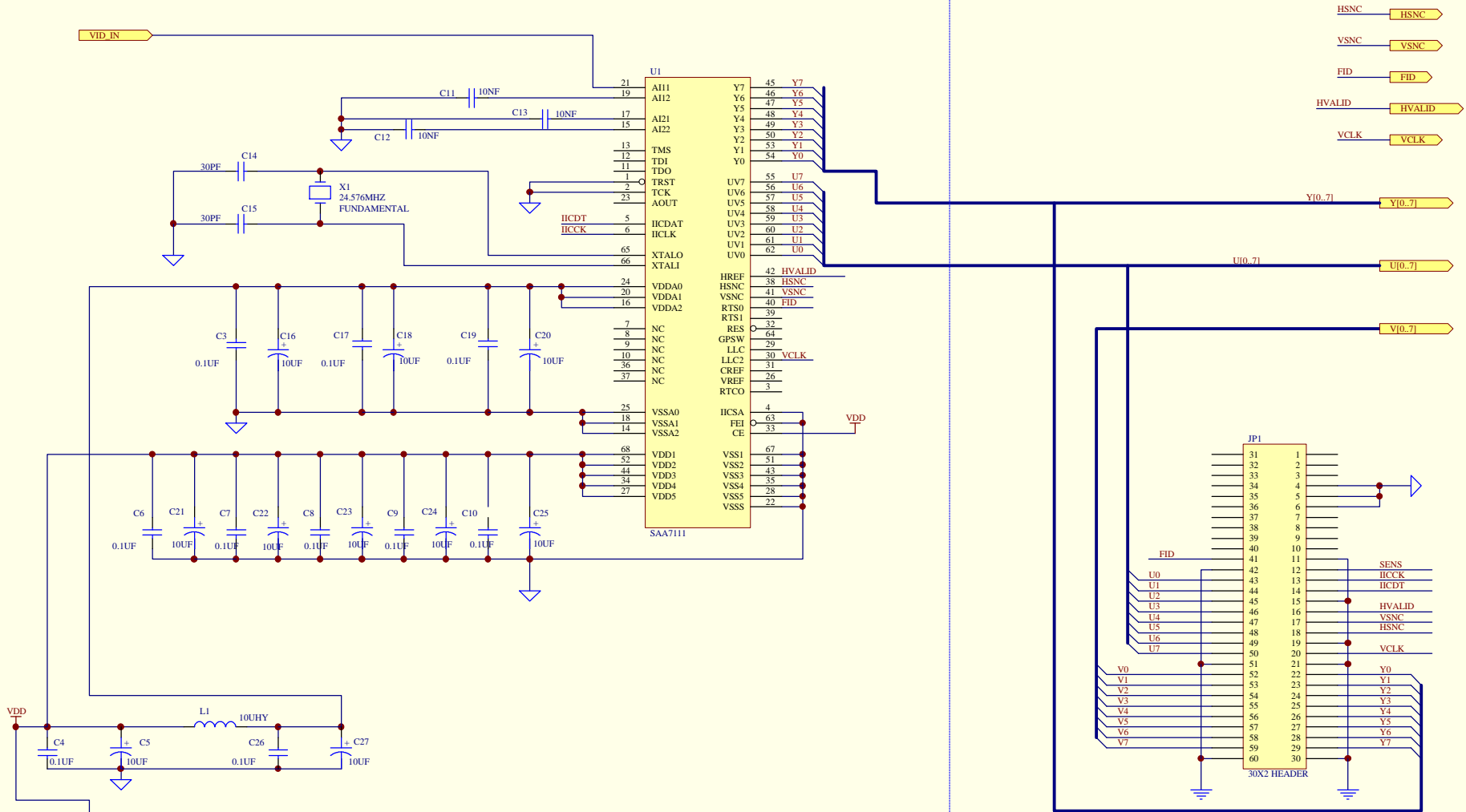
Title		
EVB1003 NOGATECH LTD.		
Size	Number	Revision
Orcad B	USB_EVB.SCH	2.0
Date:	13-Jan-1998	Sheet of 1 of 4
File:	C:\PROTEL\PROJ\NT1003\USB_EVB.SCH Drawn By: YORAM ZABARI	



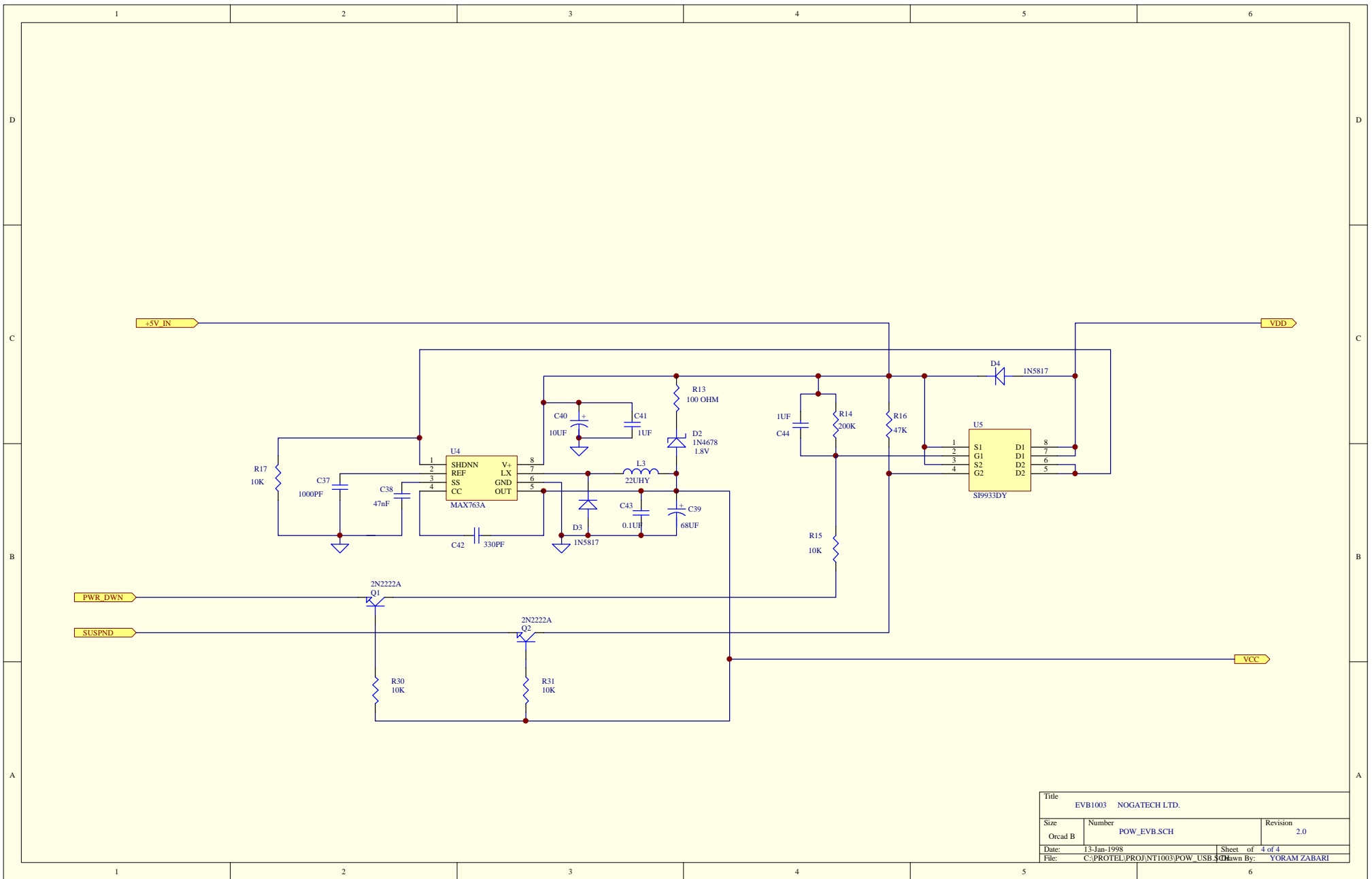
Title		EVBI003 NOGATECH LTD.	
Size	Number	Revision	2.0
Orcad B	DIG_USB.SCH		
Date:	13-Jan-1998	Sheet of	2 of 4
File:	C:\PROTEL\PROJ\NT1003\DIG_USB.SCH	Drawn By:	YORAM ZABARI

ANALOG CAMERA SOURCE

DIGITAL CAMERA SOURCE



Title			
EVB1003 NOGATECH LTD.			
Size	Number	Revision	
Orcad B	VID_USB.SCH	2.0	
Date:	13-Jan-1998	Sheet of	3 of 4
File:	C:\PROTEL\PROJ\NT1003\VID_USB.SCH	Drawn By:	YORAM ZABARI



Title		
EVB1003 NOGATECH LTD.		
Size	Number	Revision
Orcad B	POW_EVB.SCH	2.0
Date:	13-Jan-1998	Sheet of 4 of 4
File:	C:\PROTEL\PROJ\NT1003\POW_USB	Drawn By: YORAM ZABARI